



UNDERCOUNTER
ICE MACHINE

WC-0070-AB

AIR COOLED

KEY FEATURES:

- 304 stainless-steel exterior (durable & rust-resistant)
- Up to 70 lbs of ice production per 24 hrs
- 29 lbs of ice storage
- Adjustable stainless-steel legs
- Control board diagnostics
- High density urethane foam insulation
- Improved freezing surface technology
- Unique gourmet (bell) shaped ice

STANDARD WARRANTY:

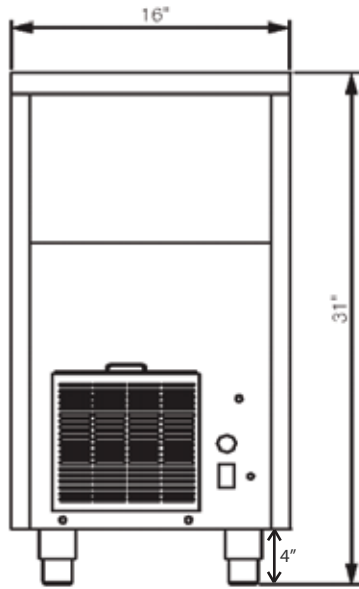
- Ice Maker: 3-Year Parts & Labor
- Evaporator: 5-Year Parts & Labor
- Compressor: 5-Year Parts & 3-Year Labor



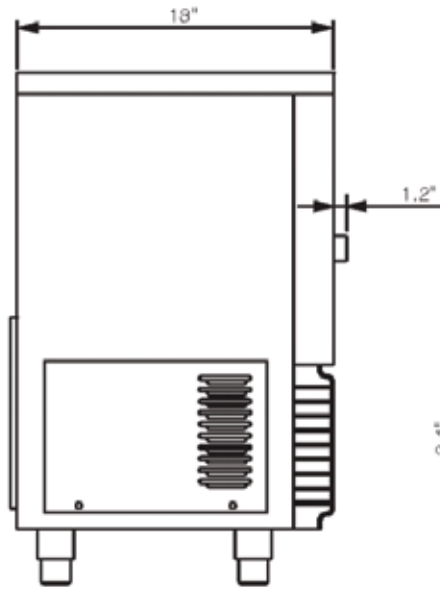
CERTIFICATIONS



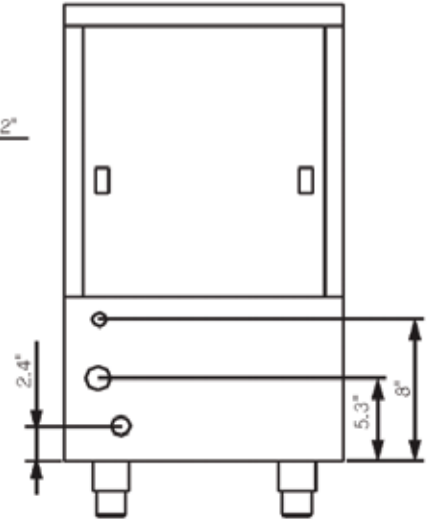
PLAN VIEW



FRONT VIEW



SIDE VIEW



BACK VIEW

MODEL	DIMENSIONS	WIDTH	DEPTH	HEIGHT	WEIGHT	
WC-0070-AB	Inch	16"	18"	31"	85 lbs (Net)	115 lbs (Gross)

SPECIFICATIONS

Model	Ice Shape	Ice Production 24 hrs		Water usage gal / 100 lbs ice	Power kWh / 100 lbs ice	Electrical (V/Hz/ph)	Minimum Circuit Breaker size (A)
		Air/Water 70°F / 50°F	Air/Water 90°F / 70°F				
WC-0070-AB	Gourmet / Bell	80 lbs	57.32 lbs	25	12.35	115 / 60 / 1	15

OPERATING LIMITS	MIN	MAX
AMBIENT TEMP RANGE	50 °F	100 °F
WATER TEMP RANGE	50 °F	90 °F
WATER PRESSURE	20 psi (1.38 bar)	80 psi (5.52 bar)

ICE SHAPE: Gourmet / Bell



GOURMET
1¼ x 1½ x 1½ (inch)

