



## MAESTRO SERIES

MODULAR  
ICE MACHINE

# IM-0550-AC/AH

**AIR COOLED**

### KEY FEATURES:

---

- 304 stainless-steel exterior (durable & rust-resistant)
- Simple diagnostic panel to assist service & maintenance
- Cleaning switch for auto cleaning cycle
- Magnetic frame cleanable condenser air filters
- Adjustable flush to reduce scale & cleaning cost
- ABS antimicrobial interior to reduce slime & cleaning cost
- Water inlet valve, no float valve
- Water distributor tube & water sump removed w/o tools
- Heavy duty water curtain, pins & hangers for easy removal
- Hinged front door panel for easy access
- No screws on side or back panels for easy access
- Sides & top vent for increased ventilation
- Evaporator section reduced to impede airborne bacteria

### STANDARD WARRANTY:

---

- Ice Maker: 3-Year Parts & Labor
- Evaporator: 5-Year Parts & Labor
- Compressor: 5-Year Parts & 3-Year Labor

### CERTIFICATIONS

---

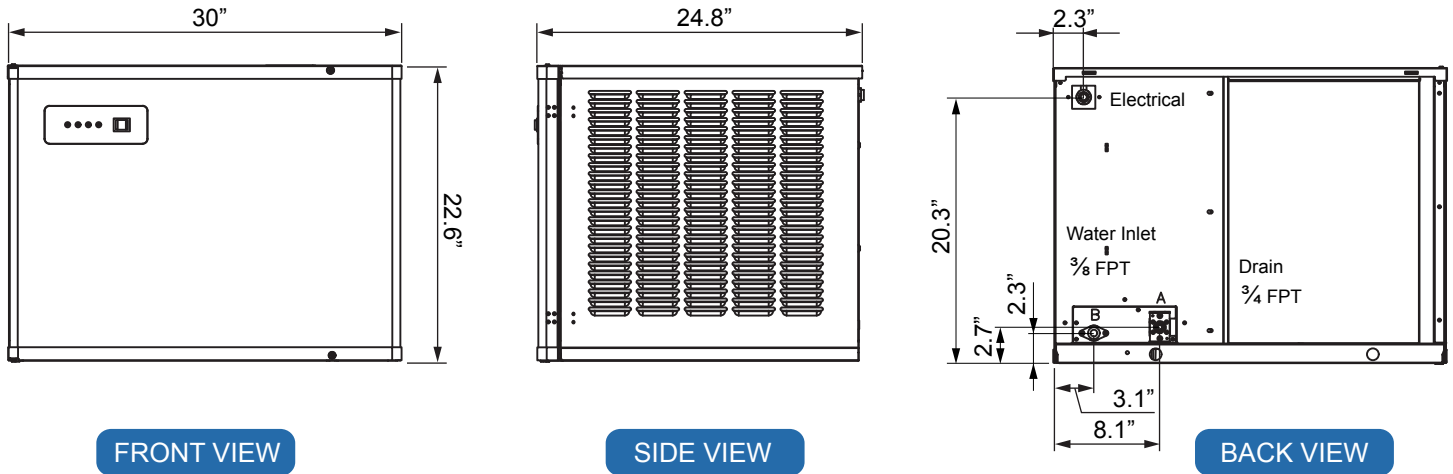


### OPTION: ICE STORAGE BIN (IB-033/044)

---



### SCHEMATIC DRAWING



MODEL	DIMENSIONS	WIDTH	DEPTH	HEIGHT	WEIGHT	
IM-0550-AC/AH	Inch	30"	24.8"	22.6"	162.3 lbs (Net)	192.9 lbs (Gross)

SPECIFICATIONS							
Model	Ice Shape	Ice Production per 24 hrs		Gal / 100 lbs ice	kWh / 100 lbs ice	Electrical (V/Hz/ph)	Condenser
		70 °F Air / 50 °F Water	90 °F Air / 70 °F Water				
<b>IM-0550</b>	AC: Cube AH: Half Cube	551 lbs	399 lbs	15.0	5.91	115 / 60 / 1	Air Cooled

### ICE SHAPE: Cube & Half Cube



**Cube**  
0.87" x 0.87" x 0.87"



**Half Cube**  
1.14" x 0.4" x 0.87"

