



STORAGE BIN

IB-044

KEY FEATURES:

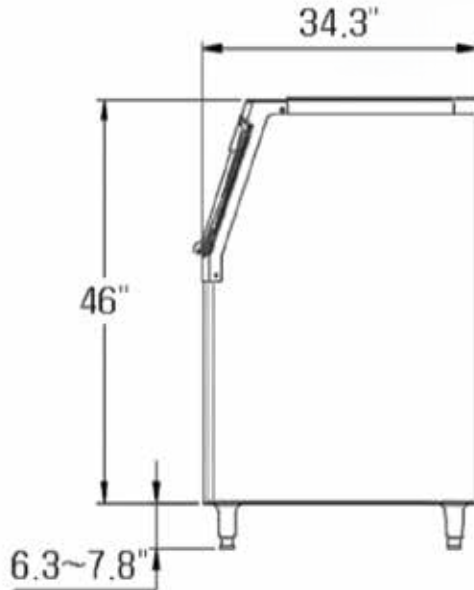
- High quality construction and components
- High density urethane insulation
- Convenient grip handle
- 440 lbs storage capacity
- Adjustable leg height
- High quality stainless-steel



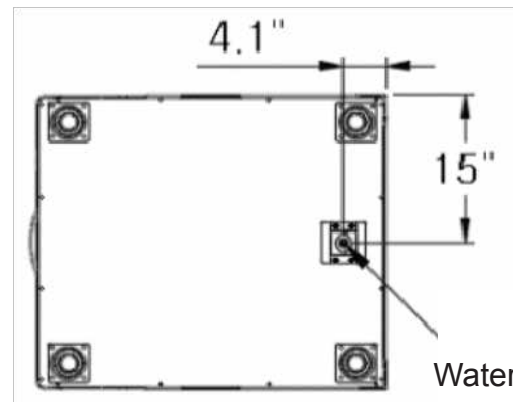
PLAN VIEW :



FRONT VIEW



SIDE VIEW



Water Drain:
3/4" FPT

BOTTOM VIEW

MODEL	DIMENSIONS	WIDTH	DEPTH	HEIGHT	WEIGHT
IB-044	Inch	30"	34.3"	46"	143 lbs (Net)

