



STORAGE BIN

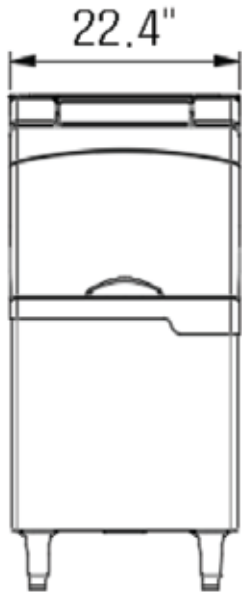
IB-026-22

KEY FEATURES:

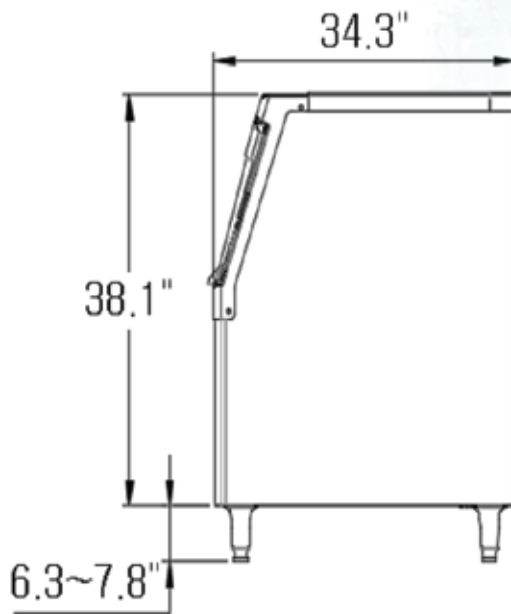
- High quality construction and components
- High density urethane insulation
- Convenient grip handle
- 265 lbs storage capacity
- Adjustable leg height
- High quality stainless-steel



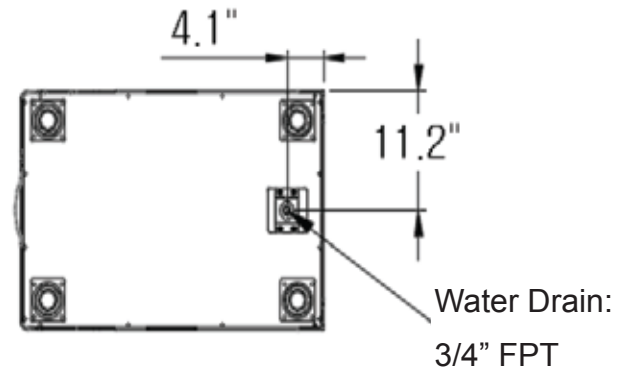
PLAN VIEW :



FRONT VIEW



SIDE VIEW



BOTTOM VIEW

MODEL	DIMENSIONS	WIDTH	DEPTH	HEIGHT	WEIGHT
IB-026-22	Inch	22.4"	34.3"	38.1"	100 lbs (Net)

