

COUNTERTOP MERCHANDISER REFRIGERATOR

Model
ECM5X
ECM7X



ECM5X



ECM7X

STANDARD FEATURES

- Exterior: Coated steel. Black or white or Stainless steel finish available.
- Interior: Attractive aluminum liner with stainless steel floor.
- Refrigeration system maintains temperatures between 33°F and 41°F .
- Swing glass door.
- Shelves: Adjustable heavy-duty PVC coated shelves.
- Electronic control system makes it easy to adjust temperature set point and defrost frequency.
- Easy to access condenser coil for cleaning and service.
- Uses R290 refrigerant, which is eco-friendly and more efficient.
- Interior efficient LED lighting.
- Warranty: One year limited from date of purchase.

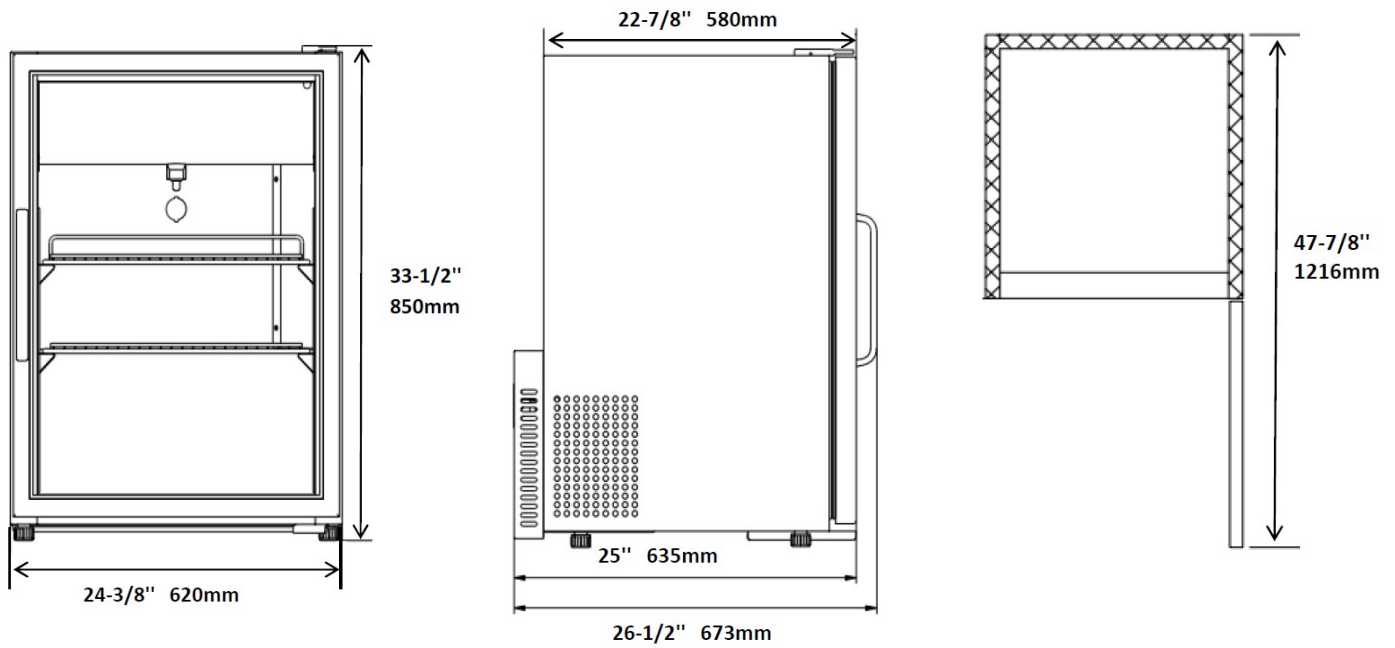
*Not suitable for installation in a non-commercial or residential applications.

Items	Description	Items	Description
Front, top & sides	Coated steel	Temperature control	Solid state thermostat/Digital display
Doors	Glass Swing	Approvals	ETL Listed
External back	Coated steel	Refrigerating system	Capillary tube
Cabinet interior	Aluminum	Refrigerant	R290
Interior floor	Stainless steel	Temperature range	33F to 41F
Insulation	Polyurethane (CFC free)	Evaporator	Powder coated aluminum/copper
Shelves	Heavy duty, PVC coating	Condensing unit	Bottom mounted

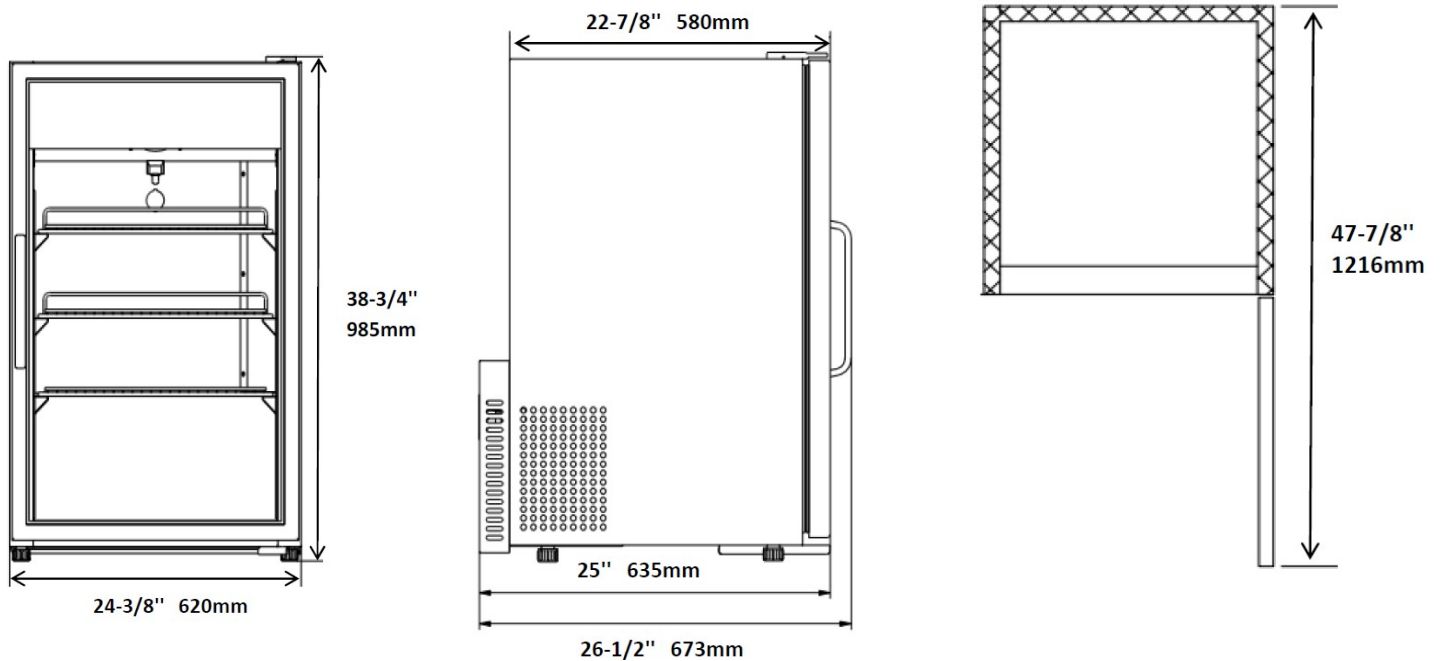
CONFORMS TO NSF/ANSI STD 7

REFRIGERATION

ECM5X



ECM7X



Model	Doors	Shelves	Cabinet Dim (inches)			HP	Voltage	Amps	NEMA Plug	Cord Length	Crated Weight
			L	D	H						
ECM5X	1	2	24.375	25.25	33.25	1/5	115/60/1	1.8	5-15P	10	139
ECM7X	1	3	24.375	25.25	38.625	1/5	115/60/1	2.0	5-15P	10	158