

# DIRECT DRAW BEER DISPENSER

## 27" DEPTH

| Model     | Size     |
|-----------|----------|
| EBD23-27X | 23" Unit |
| EBD59-27X | 59" Unit |
| EBD69-27X | 69" Unit |
| EBD90-27X | 90" Unit |



EBD59-27X



EBD69-27X



EBD23-27X

**Optional Towers w/Coupler**



EBD90-27X

**Standard 2 Tap**



**STANDARD FEATURES**

- Stainless steel top and interior, exterior coated steel.
- Cabinet and solid doors are foamed-in-place using a high density, polyurethane insulation.
- Refrigeration system keeps drinks at safe and cold temperatures between 33°F and 41°F
- Electronic control system makes it easy to adjust temperature set point and defrost frequency.
- **Tower options:** All models come standard with a 2 tap tower, add -1T or -3T to your model number for the one or three tap tower.
- Standard with towers and reinforced floor.
- Shelves: Adjustable heavy-duty PVC coated.
- Self-Closing doors with locks.
- Interior efficient LED lighting.
- 3" swivel casters are included
- Easy to access condenser coil for cleaning and service.
- Uses R290 refrigerant, which is eco-friendly and more efficient.
- **Warranty:** Two year parts & labor warranty, and additional three years on compressor.

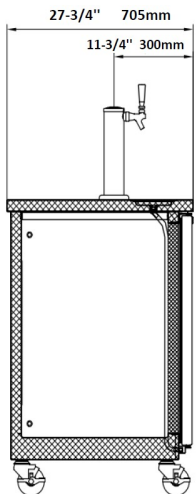
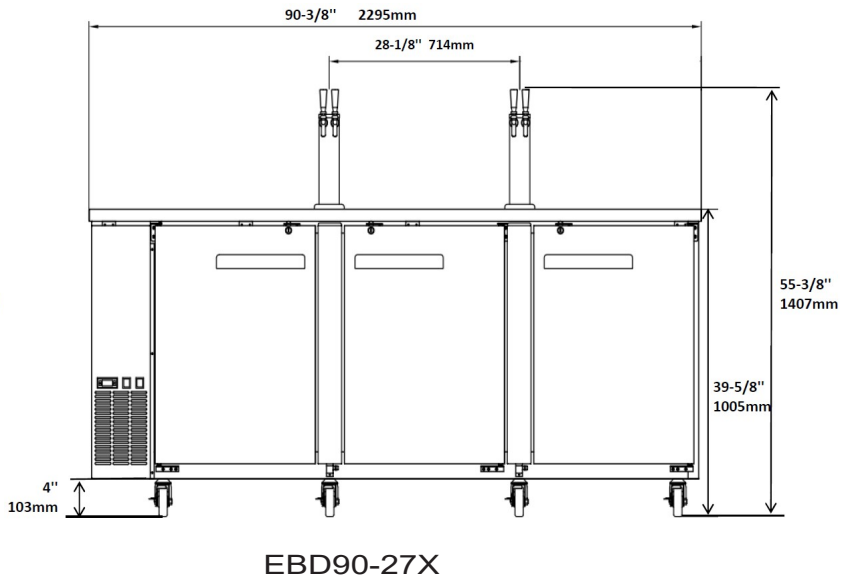
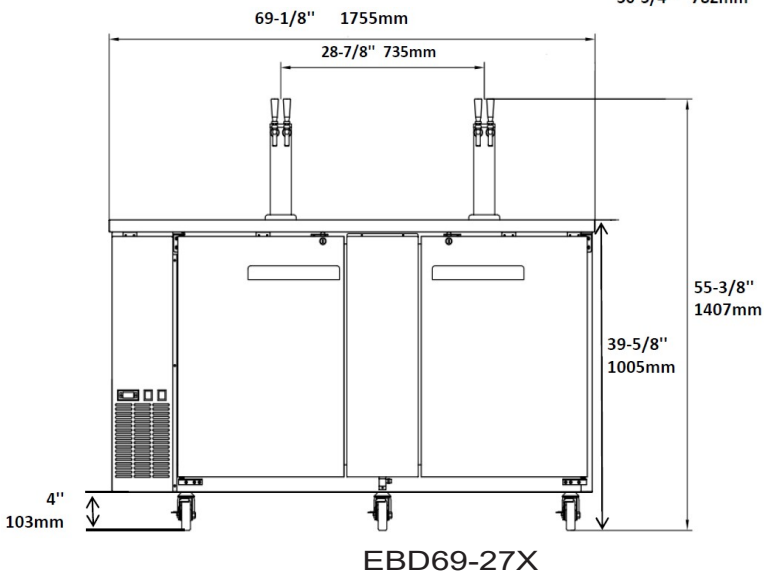
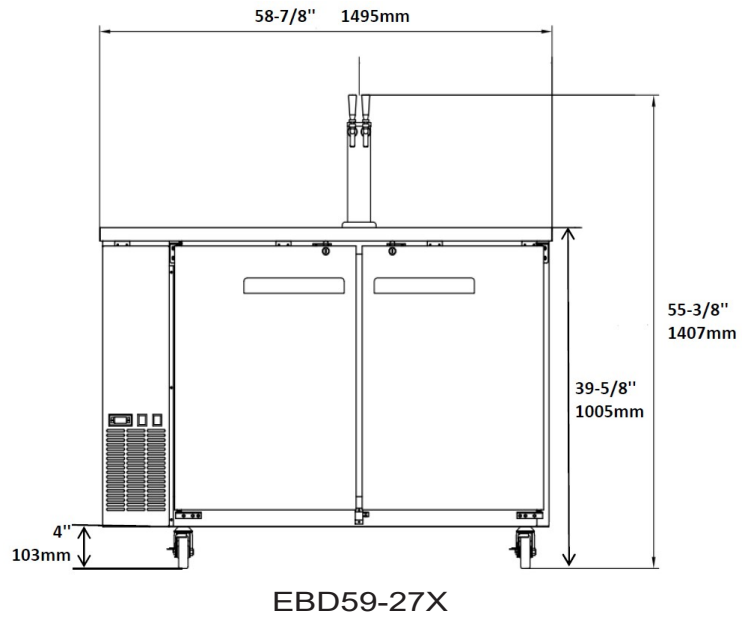
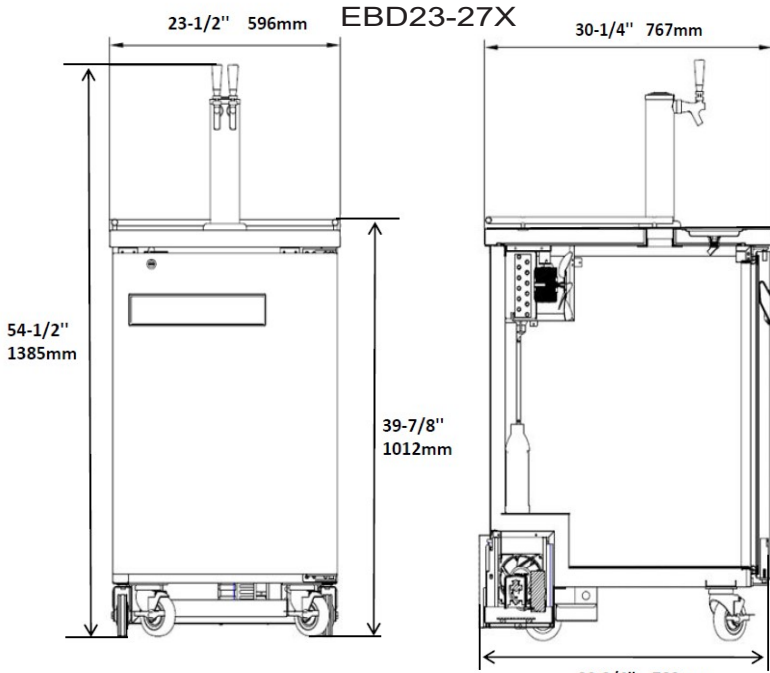
\*Not suitable for installation in a non-commercial, residential applications.

| Items            | Description                          | Items                | Description                            |
|------------------|--------------------------------------|----------------------|--|
| Top & Interior   | Stainless steel                      | Temperature control  | Solid state thermostat/Digital display |
| Doors            | Solid coated steel                   | Approvals            | ETL LISTED                             |
| External back    | Aluminum                             | Refrigerating system | Capillary tube                         |
| Cabinet interior | Stainless Steel                      | Refrigerant          | R290                                   |
| Interior floor   | Reinforced Stainless steel           | Temperature range    | 33F to 41°F                            |
| Insulation       | High Density Polyurethane (CFC free) | Evaporator           | Powder coated aluminum/copper          |
| Shelves          | Heavy duty, PVC coating              | Condensing unit      | Bottom mounted                         |

CONFORMS TO NSF/ANSI STD 7

REFRIGERATION

# DETAILS AND DIMENSIONS



| Model     | Doors | Barrels<br>1/2 Keg / 50 L | Cabinet Dim (inches) |        |        | HP  | Voltage  | Amps | NEMA<br>Plug | Cord<br>Length | Ship<br>Weight |
|-----------|-------|---------------------------|----------------------|--------|--------|-----|----------|------|--------------|----------------|----------------|
|           |       |                           | L                    | D      | H      |     |          |      |              |                |                |
| EBD23-27X | 1     | 1 Barrel                  | 23.50                | 30.375 | 39.875 | 1/6 | 115/60/1 | 1.92 | 5-15P        | 10             | 176            |
| EBD59-27X | 2     | 2 Barrels                 | 58.875               | 27.75  | 39.625 | 1/5 | 115/60/1 | 2.88 | 5-15P        | 10             | 308            |
| EBD69-27X | 2     | 2 Barrels                 | 60.75                | 27.75  | 39.625 | 1/5 | 115/60/1 | 3.6  | 5-15P        | 10             | 359            |
| EBD90-27X | 3     | 3 Barrels                 | 72.75                | 27.75  | 39.625 | 1/4 | 115/60/1 | 4.7  | 5-15P        | 10             | 418            |